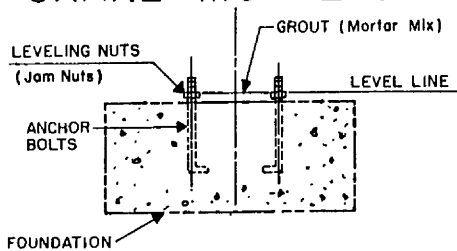




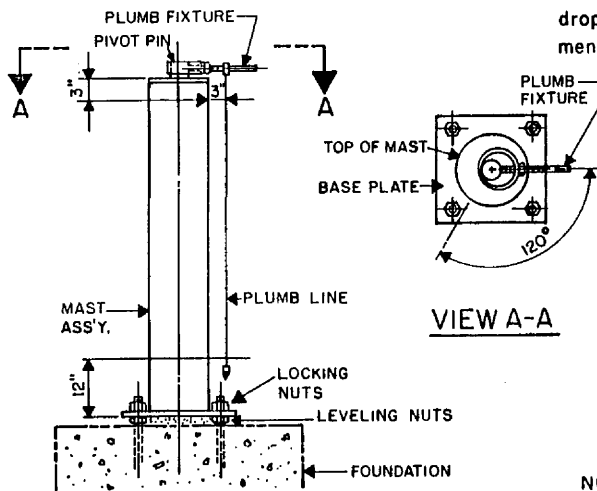
ABELL HOWE CRANES

DIVISION OF CRANE, EQUIPMENT & SERVICE,
801 W CENTER ST, EUREKA, IL 61530

INSTALLATION INSTRUCTIONS FOR BASE MOUNTED PILLAR JIB CRANE MODEL J-904SB



STEP 1



STEP 2 & 3

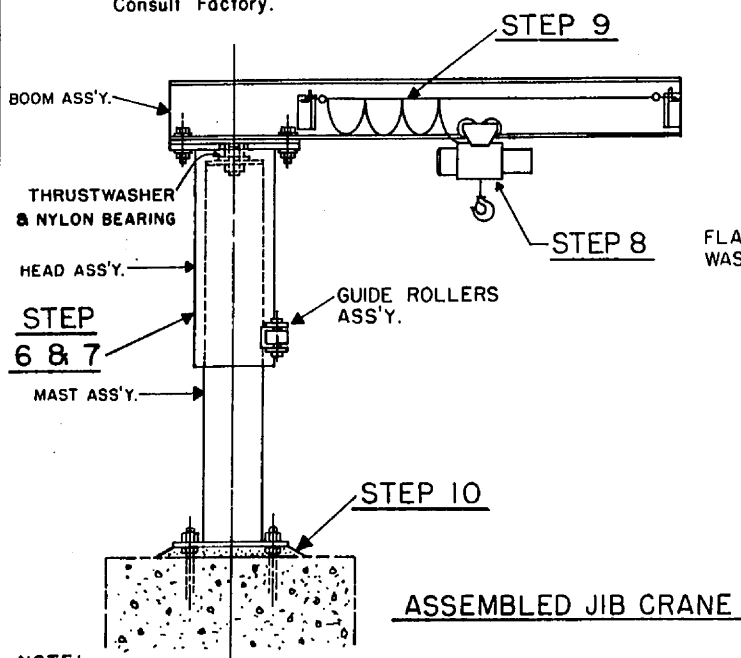
INSTRUCTIONS:

JIB CRANE IS SHIPPED IN 3 SECTIONS, HEAD ASS'Y. - BOOM ASS'Y. - MAST ASS'Y. AND A BOX CONTAINING, THRUST WASHER - BOLTS - PAINT AND ACCESSORIES.

1. After Foundation as hardened with Anchor Bolts set, install Leveling Nuts (Jam Nuts) on Anchor Bolts and level across Nuts. Then fill center of bolt pattern to top of Leveling Nuts with Grout (mortar mix).
2. Set Mast into position on Leveling Nuts, install Locking Nuts on top of Anchor Bolts and Base Plate.
3. Plumb the Mast by using a Plumbing Fixture from Pivot Pin on top of Mast. Then dropping a Plumb Line and adjusting Leveling Nuts to plumb Mast at 120° increments. When Mast is Plumb, tighten Locking Nuts.
4. A) Insert Nylon Bearing into Bearing Housing
B) Set Flat Washer on top of Bearing Housing on Model J-904-055
C) Set Top Pivot Thrustwasher over Pivot Pin located on top of Mast on Model J-904-080 & J-904-010
5. Attach Boom Ass'y. to Head Ass'y. using Bolts provided. Check Bearing Housing on bottom of Boom to make sure that Bearing is in place.
6. Raise assembled Head and Boom onto plumbed Mast.
7. After Head and Boom are mounted onto Mast, rotate Boom slowly thru Arc of 360° to be sure that rotation is satisfactory. If equipped with Rotation Stops, locate Rotation Stops and rotate thru limits of rotation in both directions.
8. Remove End Stop and install Trolley/Hoist Unit onto Boom (check gage of Trolley Wheels for proper fit on beam). Replace End Stops.
9. Install electrical Hardware and Accessories on Boom if provided and make all necessary electrical connections.

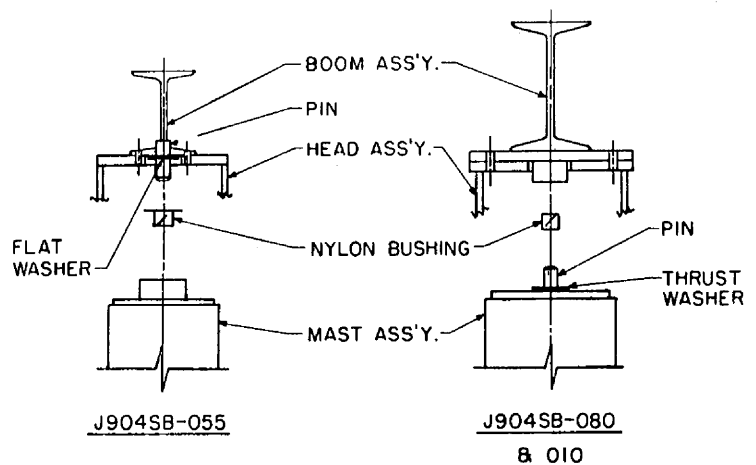
NOTE: Top Pivot Bearing requires no lubrication & Bottom Rollers are Factory lubricated Therefore after grout has cured Jib Crane is read for service.

NOTE:
For low overhead application...
Consult Factory.



ASSEMBLED JIB CRANE

NOTE:
For Foundation requirements and Anchor Bolt location refer to drawing A3-904SB



WARNING:

This equipment is not designed for and should not be used for lifting, supporting or transporting personnel.