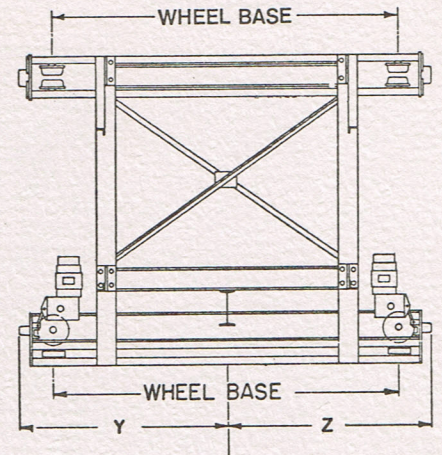
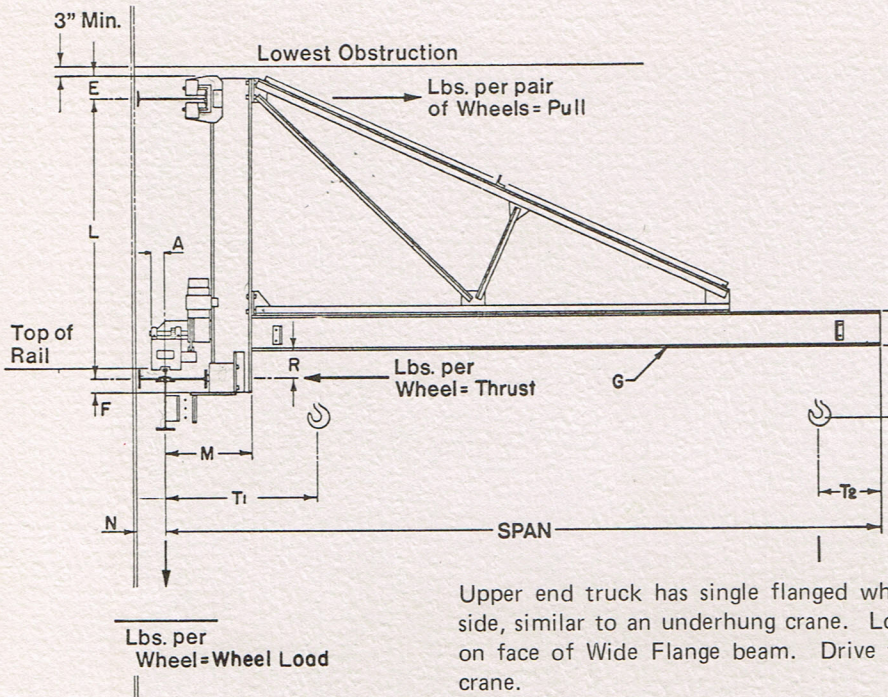


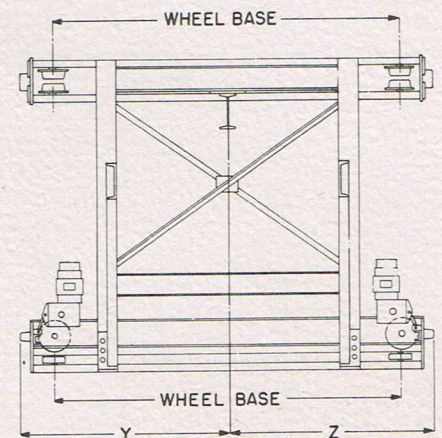
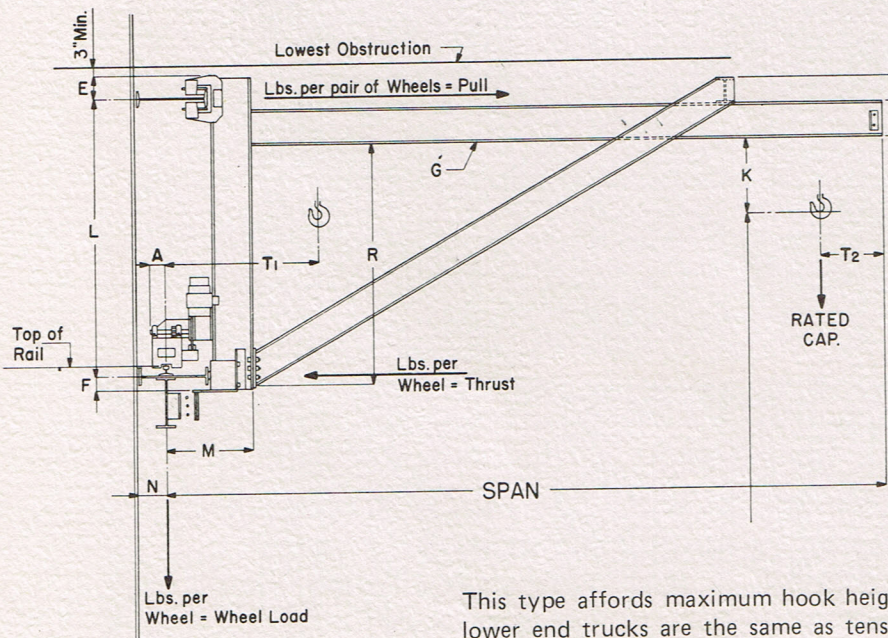


# STANDARD TENSION BRACE DESIGN



Upper end truck has single flanged wheels running on an I-beam track mounted on its side, similar to an underhung crane. Lower end truck has hardened steel rollers running on face of Wide Flange beam. Drive truck runs on ASCE rail similar to top running crane.

# UNDERBRACED DESIGN



This type affords maximum hook height by mounting trolley beam at top. Upper and lower end trucks are the same as tension brace design. Double Underbrace allows full trolley travel on beam.