

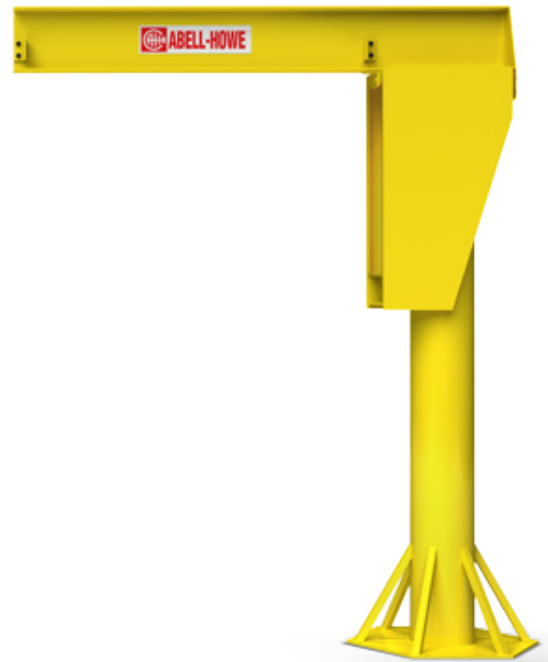


# J-904B SERIES

BASE MOUNT PILLAR JIB CRANE

## CAPACITY UP TO 10 TONS

The Abell-Howe J-904B Series was developed to be an all purpose jib for heavy duty industrial applications.



## BENEFITS & FEATURES

### CAPACITIES

1/4 Ton to 10 Tons.

Boom Lengths up to 30 ft. on select capacities.

Under Boom Height from 8 to 30 ft.

### SPECIFICATIONS

360 Degree Rotation on a Tapered Roller bearing providing full capacity vertical and radial thrust loading.

Lower section of the head revolves around the pillar on a pair of steel rollers equipped with self-aligning roller bearings.

Large diameter base plate is reinforced with heavy steel gussets for continuous alignment and rigidity.

Anti Lift-off Device.

Bottom roller assembly can be shimmed for boom leveling.

End stops at both ends of the boom for safe trolley travel.

### COMPONENT MATERIAL

Mast - Fabricated from heavy wall structural steel pipe with wall thickness sized to minimize deflection.

Boom - W-beam section.

Head section - Rigid steel plate box type with welded construction for minimum deflection between boom and mast.

### OPTIONAL ACCESSORIES

Top entry air swivel or electric collector rings on most models.

Rotational stops.

Anchor Bolts with Template.

Wind or Position Lock.

Galvanizing/Custom paint finishes.

Spark-resistant and/or explosion proof construction for hazardous locations.

Electric, Air or Hand-gear rotation.

Manual Safety switch.

Messenger wire assembly.



## J-904B BASE MOUNT PILLAR JIB CRANE

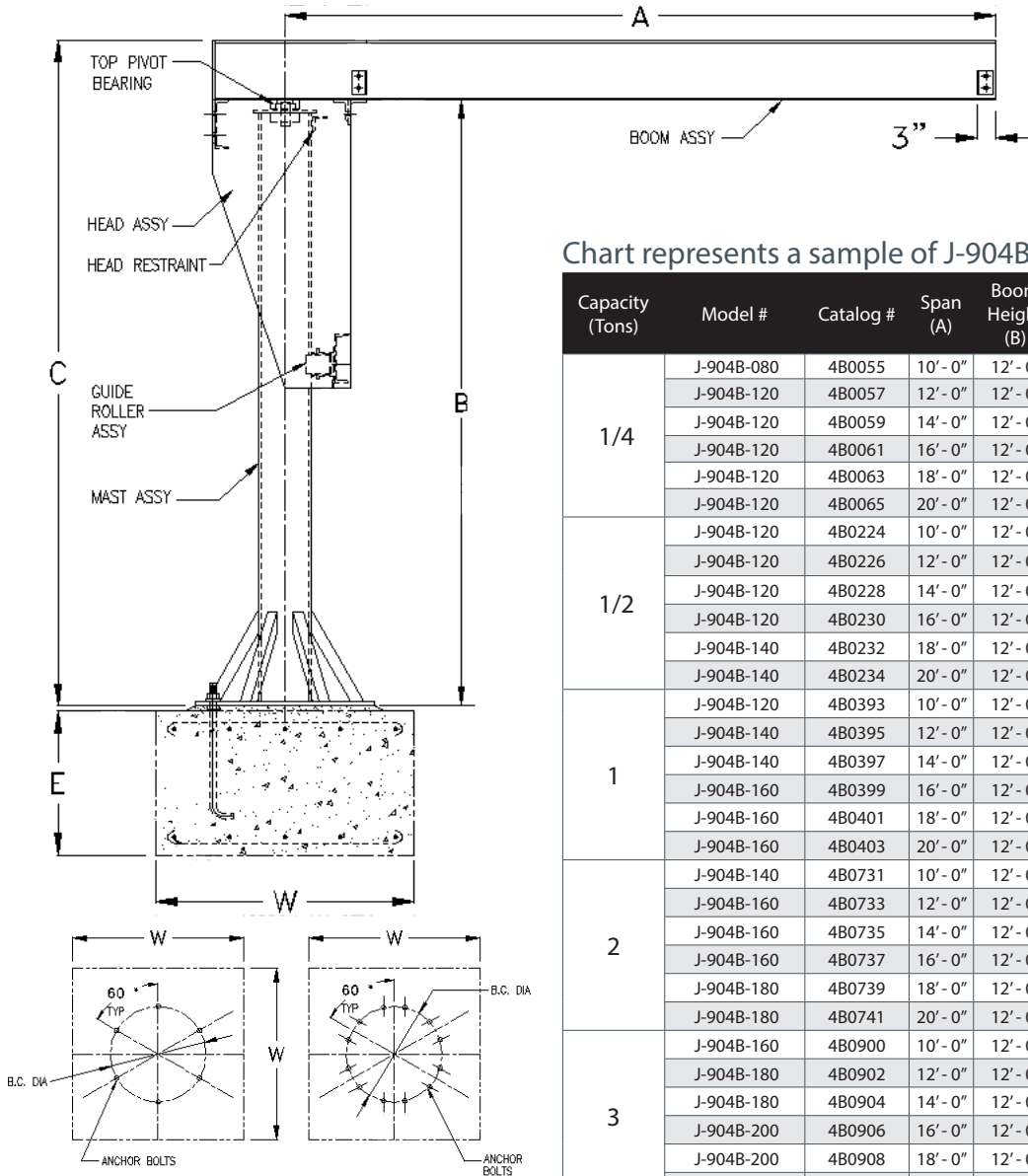


Chart represents a sample of J-904B Sizes & Capacities

Capacity (Tons)	Model #	Catalog #	Span (A)	Boom Height (B)	Overall Height (C)	Footing Depth (E)	Footing Width (W)
1/4	J-904B-080	4B0055	10'-0"	12'-0"	12'-6 1/4"	3'-0"	4'-0"
	J-904B-120	4B0057	12'-0"	12'-0"	12'-6 1/4"	3'-0"	4'-0"
	J-904B-120	4B0059	14'-0"	12'-0"	12'-8 1/4"	3'-0"	5'-0"
	J-904B-120	4B0061	16'-0"	12'-0"	12'-8 1/4"	3'-0"	5'-0"
	J-904B-120	4B0063	18'-0"	12'-0"	12'-10 3/8"	3'-0"	5'-0"
1/2	J-904B-120	4B0065	20'-0"	12'-0"	12'-10 3/8"	3'-0"	5'-0"
	J-904B-120	4B0224	10'-0"	12'-0"	12'-6 1/4"	3'-0"	4'-0"
	J-904B-120	4B0226	12'-0"	12'-0"	12'-8 1/4"	3'-0"	4'-0"
	J-904B-120	4B0228	14'-0"	12'-0"	13'-0 1/2"	3'-0"	5'-0"
	J-904B-120	4B0230	16'-0"	12'-0"	13'-0 1/2"	3'-0"	5'-0"
	J-904B-140	4B0232	18'-0"	12'-0"	13'-4 1/8"	3'-0"	5'-0"
1	J-904B-140	4B0234	20'-0"	12'-0"	13'-4 1/8"	3'-0"	5'-0"
	J-904B-120	4B0393	10'-0"	12'-0"	12'-8 1/4"	4'-0"	5'-0"
	J-904B-140	4B0395	12'-0"	12'-0"	12'-10 3/8"	4'-0"	6'-0"
	J-904B-140	4B0397	14'-0"	12'-0"	13'-0 1/2"	4'-0"	6'-0"
	J-904B-160	4B0399	16'-0"	12'-0"	13'-0 1/2"	4'-0"	7'-0"
	J-904B-160	4B0401	18'-0"	12'-0"	13'-4 1/8"	4'-0"	7'-0"
2	J-904B-160	4B0403	20'-0"	12'-0"	13'-4 1/8"	4'-0"	7'-0"
	J-904B-140	4B0731	10'-0"	12'-0"	13'-0 1/2"	4'-0"	6'-0"
	J-904B-160	4B0733	12'-0"	12'-0"	13'-0 1/2"	4'-0"	7'-0"
	J-904B-160	4B0735	14'-0"	12'-0"	13'-4 1/8"	4'-0"	7'-0"
	J-904B-160	4B0737	16'-0"	12'-0"	13'-6 1/8"	4'-0"	8'-0"
	J-904B-180	4B0739	18'-0"	12'-0"	13'-6 1/8"	4'-0"	8'-0"
3	J-904B-180	4B0741	20'-0"	12'-0"	13'-6 1/8"	4'-0"	8'-0"
	J-904B-160	4B0900	10'-0"	12'-0"	13'-4 1/8"	4'-0"	7'-0"
	J-904B-180	4B0902	12'-0"	12'-0"	13'-4 1/8"	4'-0"	7'-0"
	J-904B-180	4B0904	14'-0"	12'-0"	13'-6 1/8"	4'-0"	8'-0"
	J-904B-200	4B0906	16'-0"	12'-0"	13'-6 1/8"	4'-0"	8'-0"
	J-904B-200	4B0908	18'-0"	12'-0"	13'-9"	4'-0"	9'-0"
5	J-904B-240	4B0910	20'-0"	12'-0"	14'-0 1/8"	4'-0"	9'-0"
	J-904B-200	4B1238	10'-0"	12'-0"	13'-6 1/8"	4'-0"	9'-0"
	J-904B-240	4B1240	12'-0"	12'-0"	13'-6 1/8"	4'-0"	9'-0"
	J-904B-240	4B1242	14'-0"	12'-0"	13'-9"	4'-0"	9'-0"
	J-904B-240	4B1244	16'-0"	12'-0"	14'-0 1/8"	4'-0"	10'-0"
	J-904B-300H	4B1246	18'-0"	12'-0"	14'-0 1/4"	4'-0"	10'-0"
J-904B-300H	4B1248	20'-0"	12'-0"	14'-0 1/4"	4'-0"	10'-0"	

Model #	Pattern No.	B.C. DIA
J-904B-080	6	24"
J-904B-120	6	30"
J-904B-140	6	36"
J-904B-160	12	42"
J-904B-180	12	48"
J-904B-200	12	54"
J-904B-240	12	60"
J-904B-300H **	12	66"
J-904B-360	6	72"
J-904B-420	6	78"

Optional Models:

Part #	Description
J-904BMD	Base Mount - Electric Motor Drive
J-904BAMD	Base Mount - Air Motor Drive
J-904BHG	Base Mount - Hand Geared